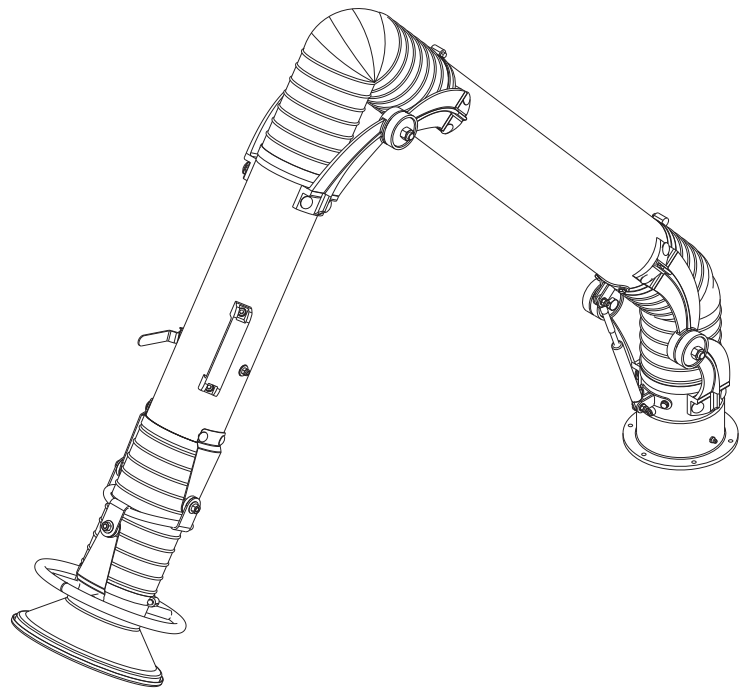
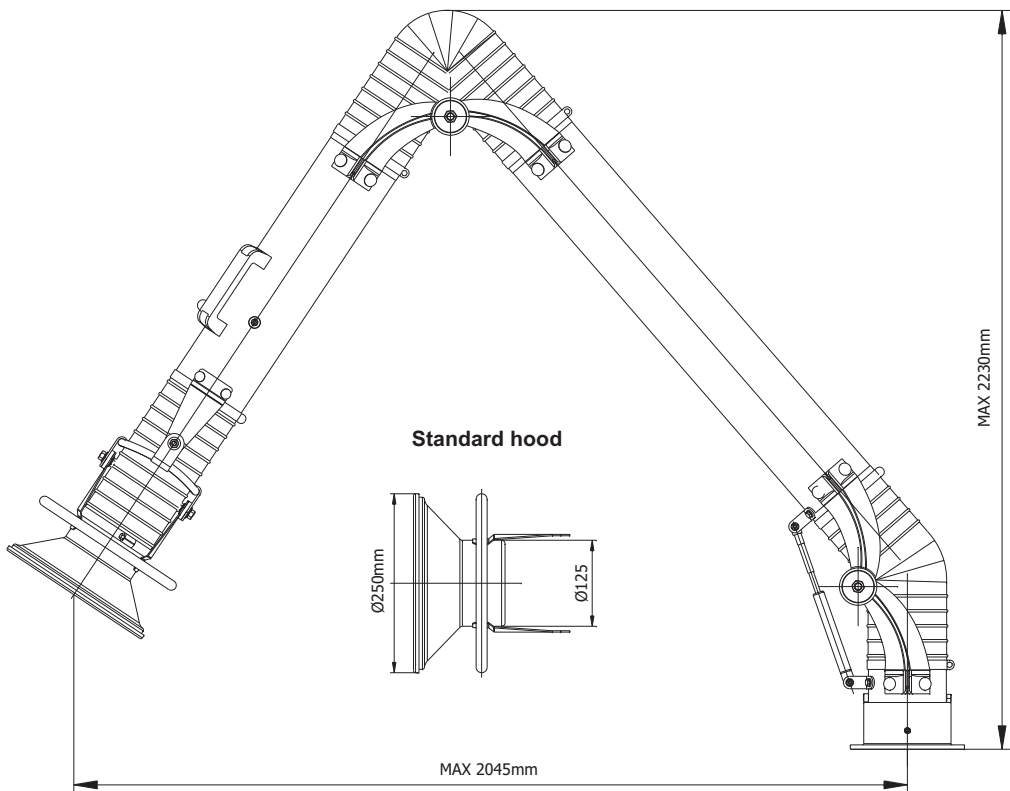
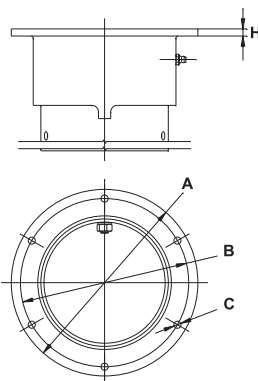


Product:	fume extraction arm Ø125 - standing model	
Index:	W02-01-1220P	



**Fume Arm Mounting Flange**

- H = 7mm
- A = Ø183mm
- B = Ø165mm
- C = 4 holes Ø7mm



- Accessories and options:**
- P07-01-0003 - Mounting bracket WS-125
  - P02-80-0001 - MOD A light kit & photo sensor
  - P02-80-0002 - MOD L light kit with Switch

- Standard construction:**
- galvanized tubes powder coated color blue RAL5010
  - aluminum hood powder coated yellow RAL1028
  - external aluminum arm joint parts painted black
  - flexible PVC black hose rated (temperature resistance up to 80°C)
  - standard built-in manual damper
  - all external adjustments and supports
  - grab handle all around the hood

