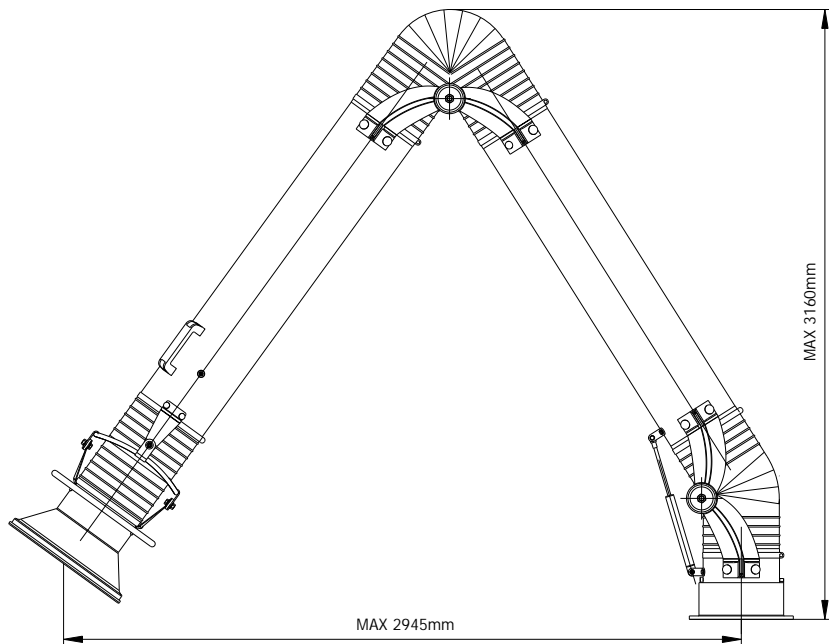
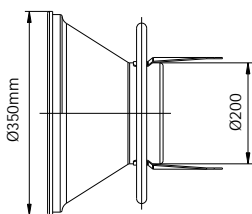


Product: fume extraction arm Ø200 - hanging model

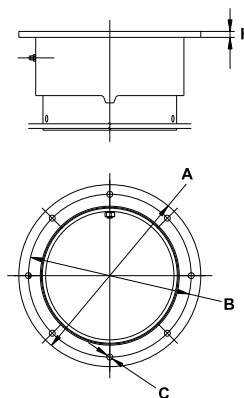
Index: W02-01-2030P



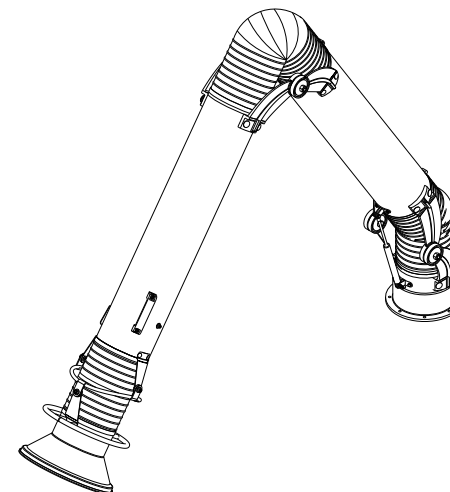
**Standard hood**



**Fume Arm Mounting Flange**



H = 9mm  
A = Ø275mm  
B = Ø246mm  
C = 8 holes Ø9mm



**Accessories and options:**

- P07-01-0005 - Mounting bracket WS-200
- P02-80-0001 - MOD A light kit & photo sensor
- P02-80-0002 - MOD L light kit with Switch



**Standard construction:**

- galvanized tubes powder coated color blue RAL5010
- aluminum hood powder coated yellow RAL1028
- external aluminum arm joint parts painted black
- flexible PVC black hose rated (temperature resistance up to 80°C)
- standard built-in manual damper
- all external adjustments and supports
- grab handle all around the hood

