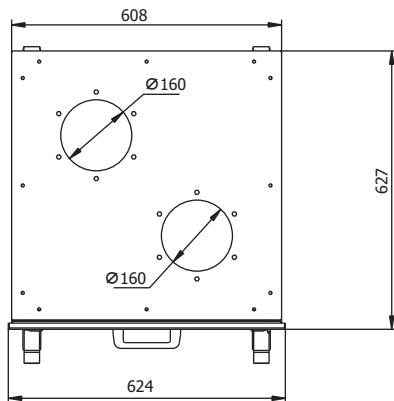
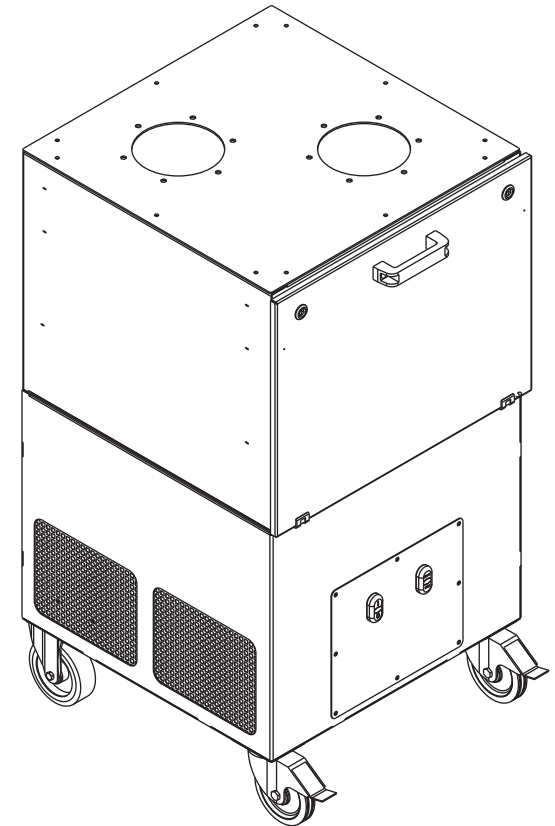
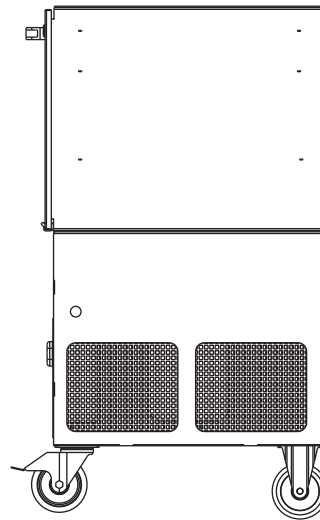
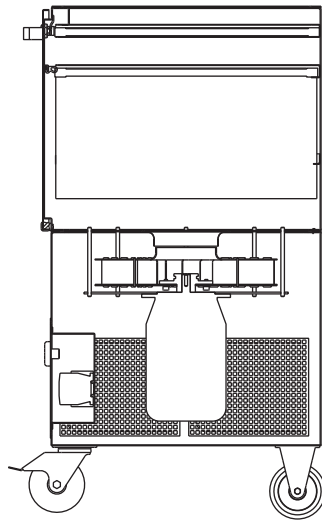
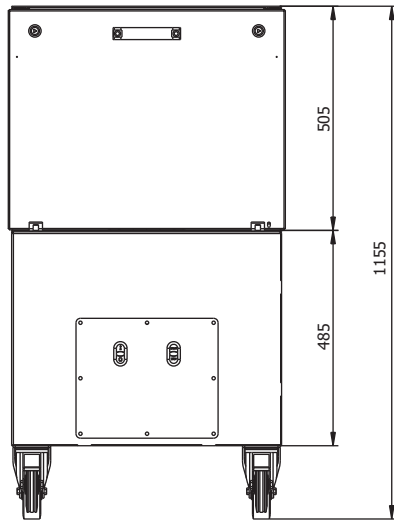


Product:

Boxair M2

Index:

W01-01-BM03



Standard construction:

- nominal efficiency 2000 m³/h
- two filtration stages: metal mesh spark trap and F7 cassette filter
- easy access to filters
- full mobility with 4 casters (two with brakes)
- welded and powder coated construction
- ready for 160 fume arms
- backward inclined blade aluminium impeller 2.2kW



Mobile filter unit for two workplace where there is no need for constant exhaust operation. Dry dusts or fumes capture and filtration especially at welding, grinding, cutting and many more processes (excluding corrosive, chemically aggressive and flammable gaseous mixtures).